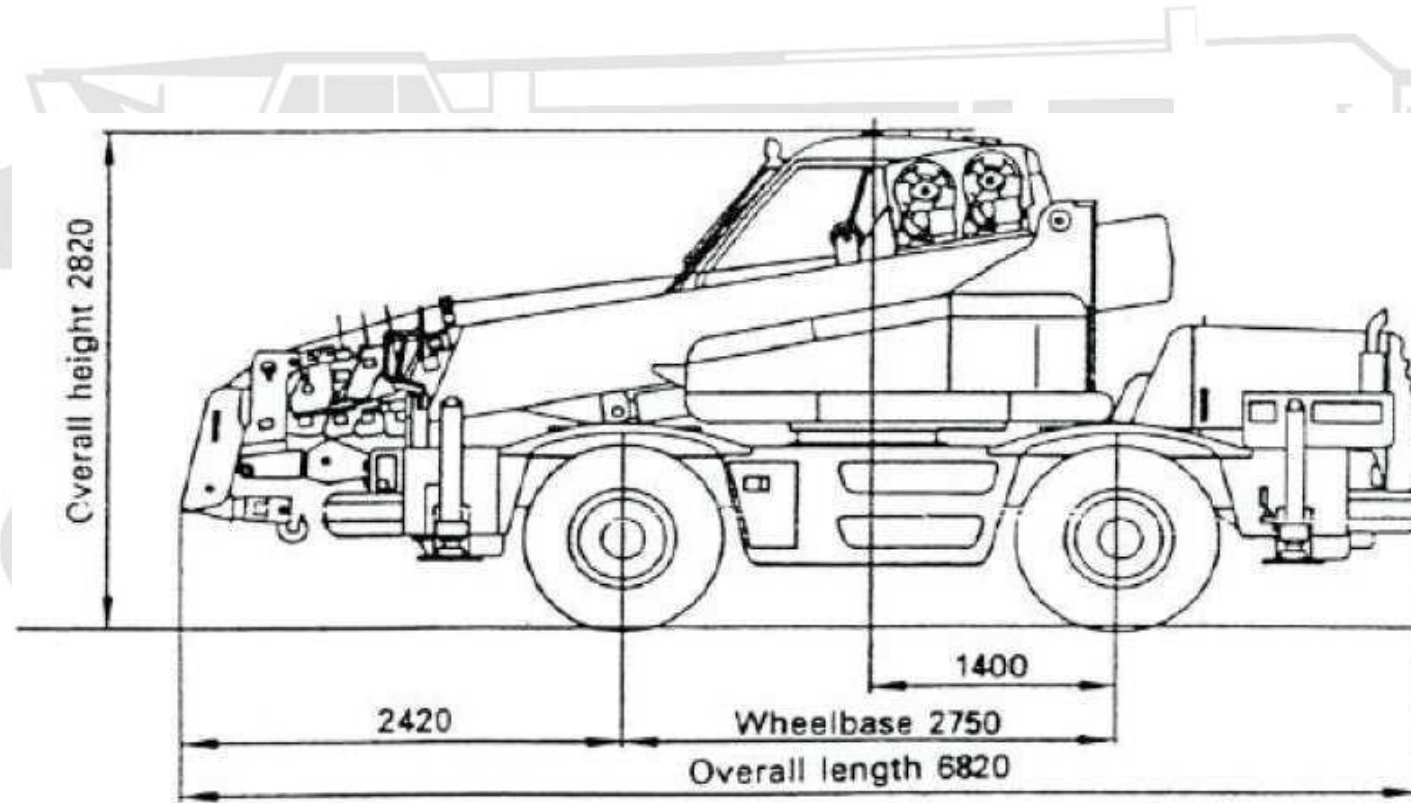
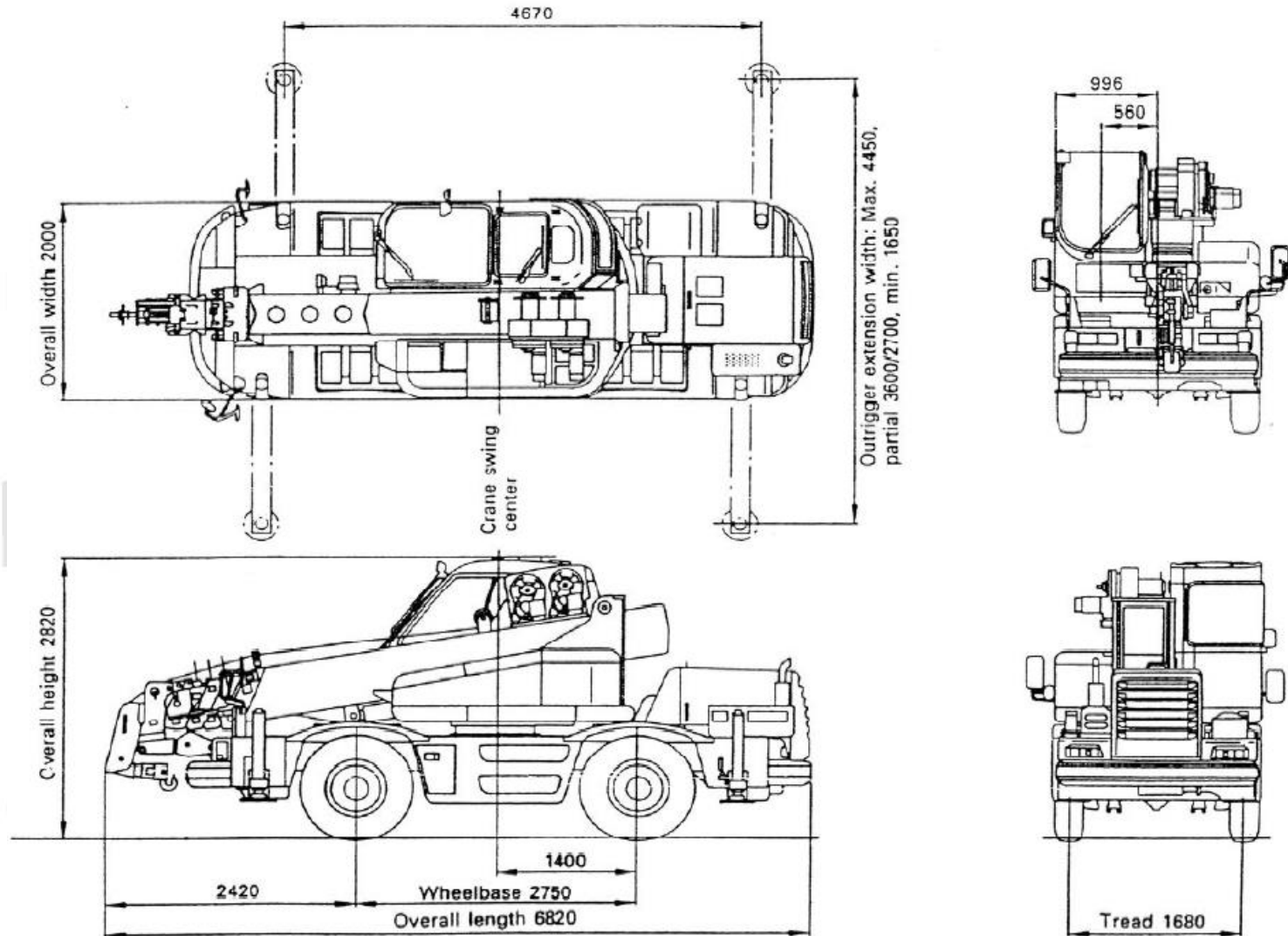


Komatsu-LW80-1 (8TN)

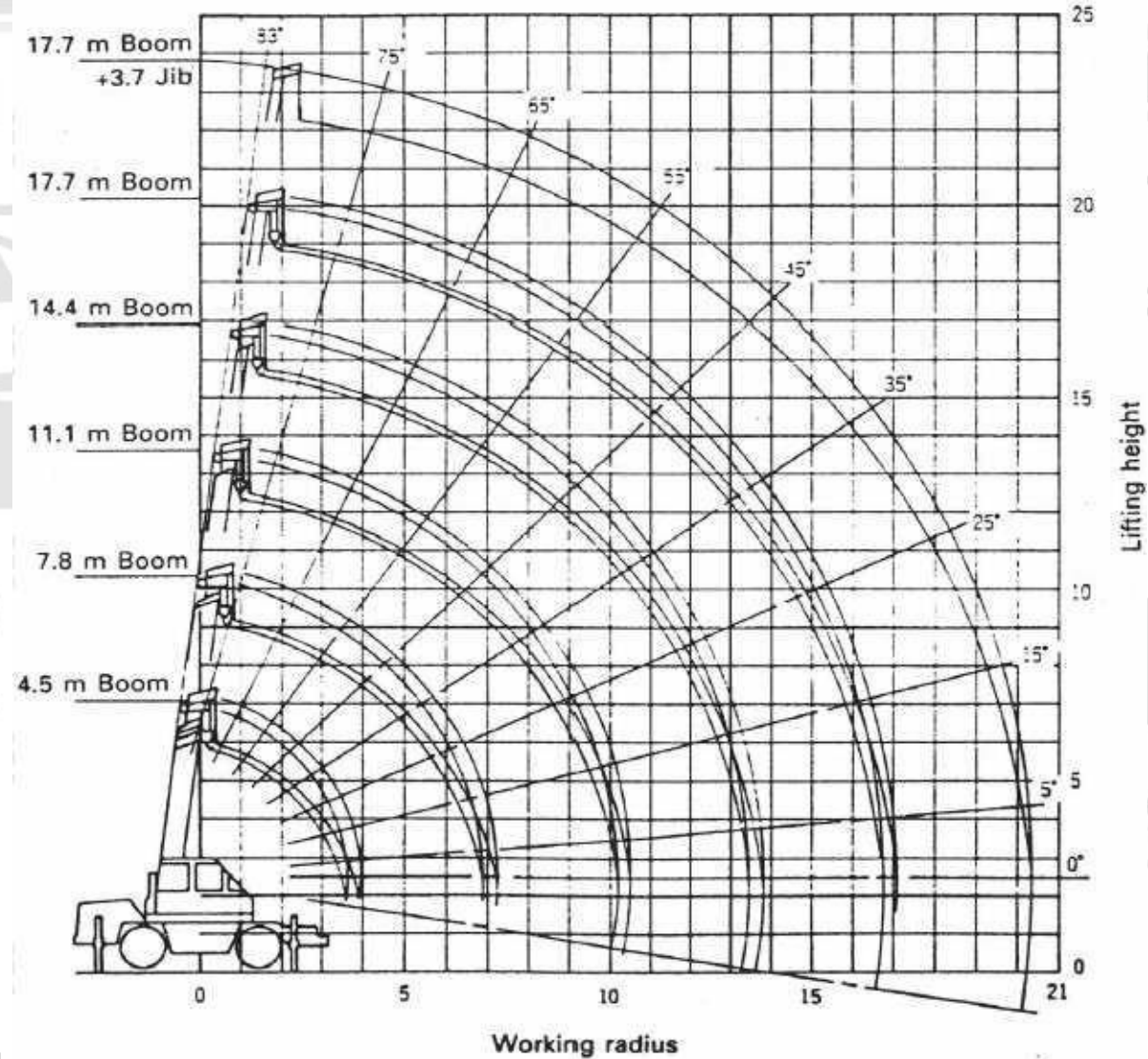
ASTEK

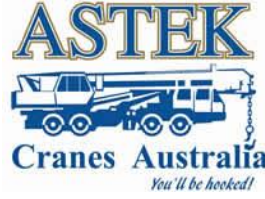




You'll be hooked!

RATED LIFTING CAPACITIES FOR MAIN BOOM





Astek Cranes Australia

PH: 0411 477 682

WORKING RADIUS (M)	With fully extended outriggers and front jack - 360 full range						
	With fully extended outriggers - over side and over front						
	BOOM					JIB	
	4.5m BOOM	7.8m BOOM	11.1m BOOM	14.4m BOOM	17.7m BOOM	16.4m BOOM	21.4m BOOM
1.0	8000	4900					
1.5	8000	4900	4900	4000			
2.0	8000	4900	4900	4000	4000	1400	
2.5	8000	4900	4900	4000	4000	1400	1400
3.0	6100	4900	4900	4000	4000	1400	1400
3.5	5300	4900	4900	4000	4000	1400	1400
4.0		4500	4500	4000	4000	1400	1400
4.5		3950	3950	4000	3600	1400	1400
5.0		3400	3400	3600	3150	1400	1400
5.5		3000	3000	3200	2900	1400	1400
6.0		2700	2700	2900	2600	1400	1400
7.0		2260	2200	2600	2200	1400	1400
8.0			1800	2200	1900	1400	1400
9.0			1500	1850	1650	1400	1250
10.0			1250	1550	1450	1400	1100
11.0			1220	1350	1280	1230	1000
12.0				1170	1100	1050	900
13.0				1000	900	870	830
14.0				800	750	700	760
15.0				750	610	600	700
16.0					500	570	650
17.0					460		580
18.0							500
19.0							420
20.0							350
21.0							300