

KOMATSU

Notes LW 100

1. The total rated loads shown are for the case when the crane is set horizontally on firm ground. (Outriggers)
2. The values above the bold line are based on the crane strength while the values below the line are based upon the crane stability.
3. The weights of hooks, slings and other lifting devices are included in the total weight shown. Please refer to below for hook block weights.

Main Hook	10 T	75 Kg
Main Hook	4.9 T	70 Kg
Aux Hook	1.4 T	21 Kg

4. The chart below shows the standard number of parts of line for each boom length. The load line should not exceed 1250 Kg for the main & 1400 Kg for the auxiliary.

Capacity	10 t	10 t	4.9 t	1.4 t
Boom (m)	4.1	4.1 ~ 21.5	4.1 ~ 21.5	Jib
Parts of line	8	4	4	1

5. The total rated loads shown are for the case when the crane is set horizontally on firm ground with the correct tyre pressure. (Pick & Carry)

Tyre Pressure 11R22.5-16PR Mpa

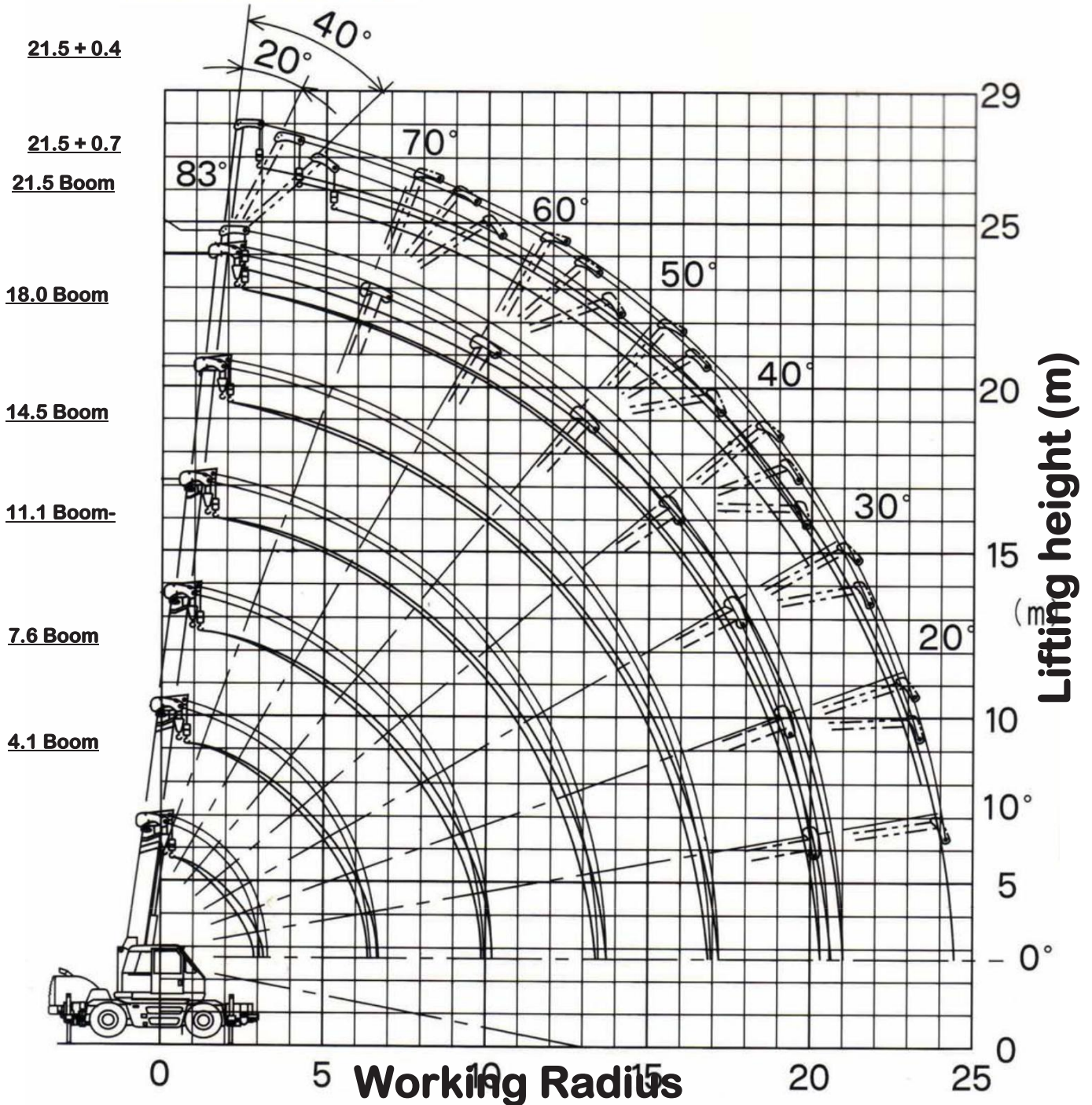
6. When using pick and carry operations, this should be performed with the boom over front and does not exceed 1 degree from the centre line.
7. When creeping with loads do NOT exceed 2 Km/h. *You'll be hooked!*
8. When creeping with loads, the slew brake should be applied and then load kept as close to the ground as possible.
9. Crane operations should not be used whilst creeping with load.

Crane Specifications

Weight	12,950 Kg	Main Rope	10 mm X	120 m
Length	6235 mm			
Width	2000 mm	Aux Rope	10 mm X	56 m
Height	2800 mm			

Working Range Diagram LW 100

KOMATSU



**Working range does not include boom deflections
The above chart is for the case where the outriggers
are fully extended.**

LW 100 Rated Capacity Table

Working Radius (m)	OUTRIGERS FULLY EXTENDED (4.75m)					
	4.1 Boom	7.6 Boom	11.11 Boom	14.5 Boom	18.0 Boom	21.5 Boom
1.0	10.00	5.00				
1.5	10.00	5.00	5.00			
2.0	10.00	5.00	5.00	4.00		
2.5	10.00	5.00	5.00	4.00	4.00	
3.0	8.00	5.00	5.00	4.00	4.00	2.30
3.5		5.00	5.00	4.00	4.00	2.30
4.0		5.00	5.00	4.00	4.00	2.30
4.5		5.00	4.55	4.00	3.70	2.30
5.0		4.60	4.10	3.70	3.40	2.30
5.5		4.15	3.50	3.40	3.10	2.30
6.0		3.70	3.15	3.15	2.85	2.30
6.5		3.35(6.4)	2.95	2.90	2.60	2.15
7.0			2.80	2.65	2.40	2.00
8.0			2.30	2.25	2.05	1.75
9.0			1.90	1.95	1.80	1.55
10.0			1.57(9.9m)	1.70	1.60	1.40
11.0				1.45	1.40	1.25
12.0				1.20	1.25	1.15
13.0				1.00	1.05	1.05
14.0				0.92(13.4m)	0.90	0.95
15.0					0.79	0.85
16.0					0.65	0.73
17.0					0.56(16.8m)	0.60
18.0						0.50
19.0						0.42
20.0						0.35
21.0						0.33(20.3m)
Critical	-	-	-	-	-	-
Boom Angle	-	-	-	-	-	-

Working Radius (m)	OUTRIGERS INTERMEDIATE EXTENDED (4.10m)					
	4.1 Boom	7.6 Boom	11.11 Boom	14.5 Boom	18.0 Boom	21.5 Boom
1.0	10.00	5.00				
1.5	10.00	5.00	5.00			
2.0	10.00	5.00	5.00	4.00		
2.5	9.40	5.00	5.00	4.00	4.00	
3.0	8.00	5.00	5.00	4.00	4.00	2.30
3.5		5.00	5.00	4.00	4.00	2.00
4.0		5.00	5.00	4.00	4.00	2.00
4.5		4.95	4.55	4.00	3.70	2.00
5.0		4.35	4.10	3.70	3.40	2.00
5.5		3.85	3.50	3.40	3.10	2.00
6.0		3.40	3.15	3.15	2.85	2.00
6.5		3.10(6.4m)	2.90	2.90	2.60	2.15
7.0			2.49	2.65	2.40	2.00
8.0			1.89	2.10	2.05	1.75
9.0			1.46	1.67	1.79	1.55
10.0			1.16(9.9m)	1.34	1.46	1.40
11.0				1.08	1.20	1.25
12.0				0.85	0.99	1.07
13.0				0.66	0.80	0.90
14.0				0.60(13.4m)	0.64	0.74
15.0					0.50	0.59
16.0					0.38	0.47
17.0					0.30(16.8)	0.36
18.0						0.27
19.0						0.20
20.0						
21.0						
Critical	-	-	-	-	-	-
Boom Angle	-	-	-	-	-	24

Loads are based upon 75% tipping

LW 100 Rated Capacity Table

Working Radius (m)	OUTRIGERS INTERMEDIATE EXTENDED (3.40m)					
	4.1 Boom	7.6 Boom	11.11 Boom	14.5 Boom	18.0 Boom	21.5 Boom
1.0	10.00	5.00				
1.5	10.00	5.00	5.00			
2.0	10.00	5.00	5.00	4.00		
2.5	8.60	5.00	5.00	4.00	4.00	
3.0	7.30	5.00	5.00	4.00	4.00	2.30
3.5		5.00	5.00	4.00	4.00	2.30
4.0		5.00	5.00	4.00	4.00	2.30
4.5		4.40	4.26	4.00	3.70	2.30
5.0		3.57	3.45	3.70	3.40	2.30
5.5		2.96	2.85	3.10	3.10	2.30
6.0		2.50	2.40	2.63	2.76	2.30
6.5		2.2(6.4m)	2.02	2.25	2.39	2.15
7.0			1.73	1.95	2.08	2.00
8.0			1.28	1.49	1.61	1.69
9.0			0.90	1.15	1.27	1.35
10.0			0.65(9.9m)	0.88	1.01	1.09
11.0				0.64	0.80	0.89
12.0				0.45	0.60	0.70
13.0				0.30	0.44	0.54
14.0				0.24(13.3m)	0.30	0.40
15.0					0.20(14.9m)	0.29
16.0						0.20(15.9m)
17.0						
18.0						
19.0						
20.0						
21.0						
Critical	-	-	-	-	-	-
Boom Angle	-	-	-	-	30	41

Working Radius (m)	OUTRIGERS INTERMEDIATE EXTENDED (2.80m)					
	4.1 Boom	7.6 Boom	11.11 Boom	14.5 Boom	18.0 Boom	21.5 Boom
1.0	10.00	5.00				
1.5	10.00	5.00	5.00			
2.0	9.60	5.00	5.00	4.00		
2.5	7.90	5.00	5.00	4.00	4.00	
3.0	6.60	5.00	5.00	4.00	4.00	2.30
3.5		5.00	4.93	4.00	4.00	2.30
4.0		3.90	3.77	4.00	4.00	2.30
4.5		3.10	2.98	3.24	3.39	2.30
5.0		2.52	2.42	2.65	2.80	2.30
5.5		2.09	1.98	2.22	2.35	2.30
6.0		1.75	1.65	1.87	2.00	2.08
6.5		1.53(6.4m)	1.38	1.59	1.72	1.80
7.0			1.15	1.36	1.49	1.57
8.0			0.74	1.01	1.13	1.21
9.0			0.44	0.70	0.85	0.94
10.0			0.23(9.9m)	0.46	0.61	0.72
11.0				0.27	0.42	0.52
12.0				0.20(11.4m)	0.27	0.36
13.0					0.20(12.5m)	0.24
14.0						0.20(13.3m)
15.0						
16.0						
17.0						
18.0						
19.0						
20.0						
21.0						
Critical	-	-	-	-	-	-
Boom Angle	-	-	-	34	44	51

Loads are based upon 75% tipping

KOMATSU

LW 100 Jib Rated Capacity Table

OUTRIGERS INTERMEDIATE EXTENDED (3.40m)						
Degrees	Working Radius	Offset 0	Working Radius	Offset 20	Working Radius	Offset 40
	(m)	(t)	(m)	(t)	(m)	(t)
83.0	3.4	1.20	4.8	0.89	5.8	0.58
80.0	4.8	1.20	6.1	0.89	7.1	0.58
75.0	7.1	1.20	8.2	0.77	9.1	0.54
72.0	8.4	1.20	9.5	0.72	10.3	0.52
70.0	9.2	1.15	10.3	0.69	11.0	0.51
65.0	11.2	0.95	12.2	0.62	12.9	0.48
60.0	13.1	0.70	14.1	0.57	14.6	0.47
55.0	14.8	0.48	15.8	0.43	16.2	0.42
50.0	16.5	0.31	17.3	0.29	17.7	0.28
45.0						
40.0						
Critical	-	-	-	-	-	-
Boom Angle	-	46	-	46	-	47

OUTRIGERS INTERMEDIATE EXTENDED (2.80m)						
Degrees	Working Radius	Offset 0	Working Radius	Offset 20	Working Radius	Offset 40
	(m)	(t)	(m)	(t)	(m)	(t)
83.0	3.4	1.20	4.8	0.89	5.8	0.58
80.0	4.8	1.20	6.1	0.89	7.1	0.58
75.0	7.1	1.20	8.2	0.77	9.1	0.54
72.0	8.4	1.20	9.5	0.72	10.3	0.52
70.0	9.2	1.04	10.3	0.69	11.0	0.51
65.0	11.1	0.68	12.2	0.60	12.9	0.48
60.0	13.0	0.42	14.0	0.37	14.6	0.35
55.0	14.7	0.23	15.6	0.20		
50.0						
45.0						
40.0						
Critical	-	-	-	-	-	-
Boom Angle	-	54	-	55	-	56

Loads are based upon 75% tipping

Cranes Australia

You'll be hooked!

KOMATSU

Pick & Carry		
Working Radius (m)	(Less than 2 km/h)	
	4.1 Boom	7.6 Boom
3.4	1.00	1.00
1.5	1.00	1.00
2.0	1.00	1.00
2.5	1.00	1.00
3.0	1.00	1.00
3.5		1.00
4.0		1.00
4.5		1.00
5.0		1.00
5.5		0.50
6.0		0.50
6.5		0.50(6.4m)
7.0		
8.0		
Critical	-	-
Boom Angle	-	-

For use with Axle Lock Outs (Option)								
Working Radius (m)				Working Radius (m)				
	4.1 Boom	7.6 Boom	11.1 Boom		4.1 Boom	7.6 Boom	11.1 Boom	
1.0	4.90	4.90		1.0	3.40	3.20		
1.5	4.10	3.95	3.90	1.5	3.20	3.00	2.90	
2.0	3.35	3.20	3.10	2.0	2.35	2.10	2.00	
2.5	2.80	2.60	2.55	2.5	1.75	1.50	1.40	
3.0	2.35	2.15	2.10	3.0	1.30	1.05	0.95	
3.5		1.80	1.70	3.5		0.70	0.60	
4.0		1.50	1.40	4.0		0.45	0.35	
4.5		1.25	1.15	4.5		0.25	0.20(4.4m)	
5.0		1.05	0.95	5.0				
5.5		0.85	0.75	5.5				
6.0		0.70	0.60	6.0				
6.5		0.60(6.4m)	0.50	6.5				
			0.35	7.0				
			0.20(7.8m)	8.0				
Critical	-	-	-	Critical	-	-	-	
Boom Angle	-	-	41	Boom Angle	-	46	64	

Loads are based upon 75% tipping

Cranes Australia

You'll be hooked!

LW 100 Jib Rated Capacity Table

OUTRIGERS MINIMUM EXTENDED (2.20m) X Type						
Degrees	Working Radius	Offset	Working Radius	Offset	Working Radius	Offset
	(m)	0 (t)	(m)	20 (t)	(m)	40 (t)
83.0	3.4	1.20	4.8	0.89	5.8	0.58
80.0	4.8	1.20	6.1	0.89	7.1	0.58
75.0	7.1	1.16	8.2	0.77	9.1	0.54
72.0	8.3	0.84	9.5	0.71	10.3	0.52
70.0	9.1	0.68	10.2	0.58	11.0	0.51
65.0	11.0	0.35	12.1	0.30	12.8	0.27
60.0						
55.0						
50.0						
45.0						
40.0						
Critical	-	-	-	-	-	-
Boom Angle	-	62	-	63	-	63

OUTRIGERS MINIMUM EXTENDED (1.65m) H Type						
Degrees	Working Radius	Offset	Working Radius	Offset	Working Radius	Offset
	(m)	0 (t)	(m)	20 (t)	(m)	40 (t)
83.0	3.4	1.20	4.8	0.89	5.8	0.58
80.0	4.8	1.20	6.1	0.89	7.1	0.58
75.0	6.9	0.74	8.2	0.59	9.1	0.51
72.0	8.1	0.46	9.3	0.37	10.2	0.32
70.0	8.9	0.31	10.1	0.25	10.9	0.22
65.0						
60.0						
55.0						
50.0						
45.0						
40.0						
Critical	-	-	-	-	-	-
Boom Angle	-	69	-	69	-	70

Loads are based upon 75% tipping

Cranes Australia

You'll be hooked!



LW 100 Jib Rated Capacity Table

OUTRIGERS FULLY EXTENDED (4.75m)						
Degrees	Working Radius	Offset 0	Working Radius	Offset 20	Working Radius	Offset 40
	(m)	(t)	(m)	(t)	(m)	(t)
83.0	3.4	1.20	4.8	0.89	5.8	0.58
80.0	4.8	1.20	6.1	0.89	7.1	0.58
75.0	7.1	1.20	8.2	0.77	9.1	0.54
72.0	8.4	1.20	9.5	0.72	10.3	0.52
70.0	9.2	1.15	10.3	0.69	11.0	0.51
65.0	11.2	0.95	12.2	0.62	12.9	0.48
60.0	13.2	0.82	14.1	0.57	14.6	0.47
55.0	15.0	0.71	15.8	0.53	16.2	0.45
50.0	16.6	0.64	17.4	0.50	17.7	0.44
45.0	18.2	0.55	18.8	0.48	19.1	0.44
40.0	19.5	0.47	20.1	0.43	20.2	0.43
35.0	20.8	0.40	21.2	0.38		
30.0	21.8	0.35	22.2	0.33		
25.0	22.7	0.29	22.9	0.28		
20.0	23.4	0.25	23.5	0.24		
15.0	24.0	0.20				
10.0	24.3	0.20				
Critical	-	-	-	-	-	-
Boom Angle	-	-	-	20	-	40

OUTRIGERS INTERMEDIATE EXTENDED (4.10m)						
Degrees	Working Radius	Offset 0	Working Radius	Offset 20	Working Radius	Offset 40
	(m)	(t)	(m)	(t)	(m)	(t)
83.0	3.4	1.20	4.8	0.89	5.8	0.58
80.0	4.8	1.20	6.1	0.89	7.1	0.58
75.0	7.1	1.20	8.2	0.77	9.1	0.54
72.0	8.4	1.20	9.5	0.72	10.3	0.52
70.0	9.2	1.15	10.3	0.69	11.0	0.51
65.0	11.2	0.95	12.2	0.62	12.9	0.48
60.0	13.2	0.82	14.1	0.57	14.6	0.47
55.0	15.0	0.71	15.8	0.53	16.2	0.45
50.0	16.6	0.64	17.4	0.50	17.7	0.44
45.0	18.2	0.55	18.8	0.48	19.1	0.44
40.0	19.5	0.47	20.1	0.43	20.2	0.43
35.0	20.8	0.40	21.2	0.38		
30.0	21.8	0.35	22.2	0.33		
25.0	22.7	0.29	22.9	0.28		
20.0	23.4	0.25	23.5	0.24		
15.0	24.0	0.20				
10.0	24.3	0.20				
Critical	-	-	-	-	-	-
Boom Angle	-	33	-	34	-	40

Loads are based upon 75% tipping

You'll be hooked!

KOMATSU

LW 100 Rated Capacity Table

Working Radius (m)	OUTRIGERS MINIMUM EXTENDED (2.20m) X Type					
	4.1 Boom	7.6 Boom	11.11 Boom	14.5 Boom	18.0 Boom	21.5 Boom
1.0	10.00	5.00				
1.5	7.90	5.00	5.00			
2.0	6.25	5.00	5.00	4.00		
2.5	5.00	4.75	4.68	4.00	4.00	
3.0	4.10	3.87	3.78	4.00	4.00	2.30
3.5		3.18	3.09	3.32	3.45	2.30
4.0		2.56	2.45	2.70	2.84	2.30
4.5		2.03	1.93	2.15	2.30	2.30
5.0		1.64	1.54	1.76	1.89	1.97
5.5		1.33	1.23	1.45	1.57	1.66
6.0		1.09	0.07	1.20	1.32	1.40
6.5		0.90(6.4m)	0.73	1.00	1.12	1.20
7.0			0.53	0.80	0.95	1.03
8.0			0.22	0.48	0.64	0.74
9.0			0.22	0.25	0.40	0.50
10.0				0.20(9.2m)	0.22	0.32
11.0					0.20(10.1m)	0.20(10.8m)
Critical	-	-	-	-	-	-
Boom Angle	-	-	39	48	55	59

Working Radius (m)	OUTRIGERS MINIMUM EXTENDED (1.65m) H Type					
	4.1 Boom	7.6 Boom	11.11 Boom	14.5 Boom	18.0 Boom	21.5 Boom
1.0	10.00	5.00				
1.5	7.90	5.00	5.00			
2.0	6.20	5.00	5.00	4.00		
2.5	4.20	3.90	3.77	4.00	4.00	
3.0	3.05	2.75	2.65	2.90	3.05	2.30
3.5		2.05	1.96	2.17	2.31	2.30
4.0		1.56	1.46	1.68	1.81	1.90
4.5		1.20	1.10	1.32	1.45	1.53
5.0		0.90	0.77	1.05	1.17	1.25
5.5		0.65	0.52	0.80	0.95	1.03
6.0		0.45	0.32	0.58	0.74	0.85
6.5		0.31(6.4m)	0.20(6.3m)	0.41	0.57	0.67
7.0				0.27	0.42	0.53
8.0				0.20(7.2m)	0.20(7.9m)	0.29
9.0						0.20(8.5m)
10.0						
11.0						
Critical	-	-	-	-	-	-
Boom Angle	-	-	52	59	63	66

Loads are based upon 75% tipping

You'll be hooked!

