



AT 15-3

15 tonne lifting capacity

Pick & Carry crane

Datasheet

metric

WORKS FOR YOU.



AT 15-3



HIGHLIGHTS

AT 15-3



4

AT 15-3

- ▶ 15.0 tonne at 1.6 m radius
- ▶ 1.05 tonne at 15.86 m radius
- ▶ 17 m maximum hook height - 17
- ▶ Hook block (3 parts) capacity 10.5 tonne
- ▶ Single line 3.5 tonne -

Cranes Australia

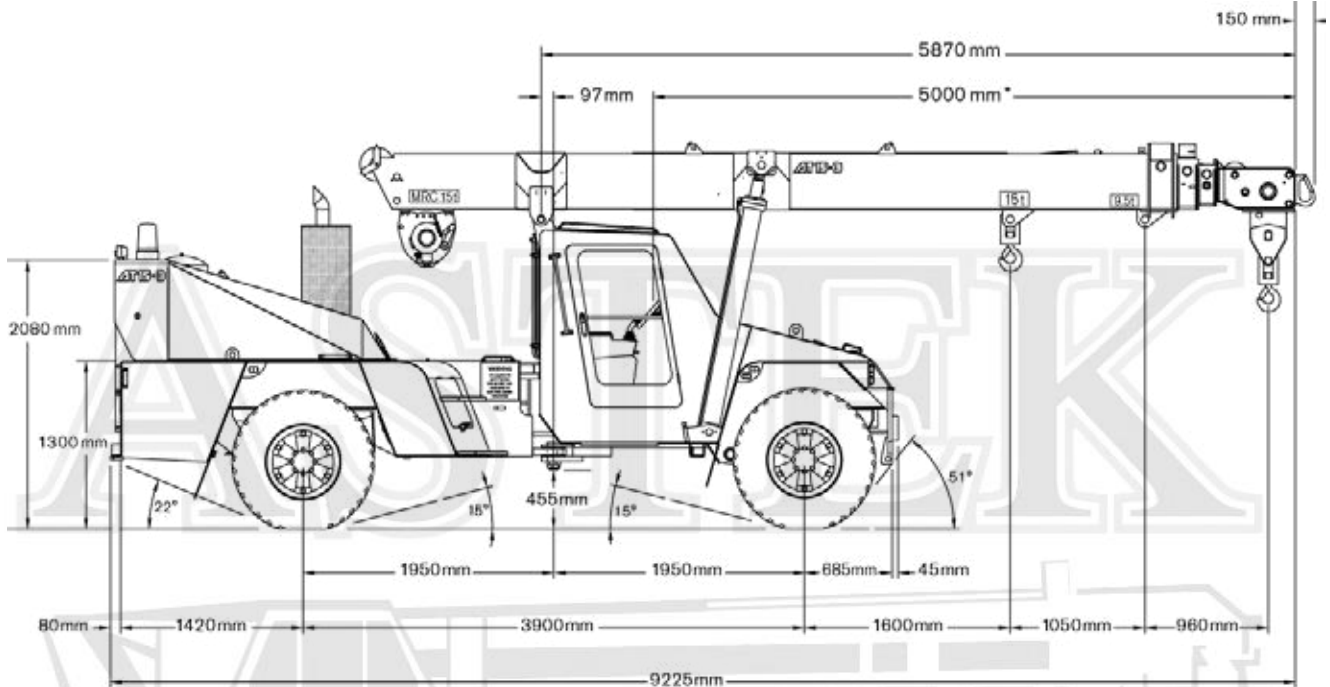
You'll be hooked!



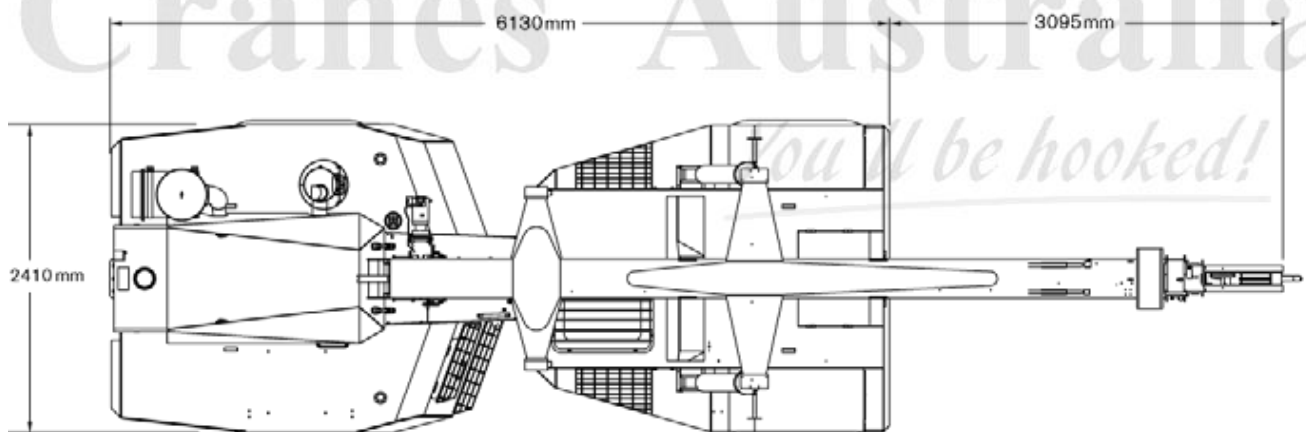
DIMENSIONS

AT 15-3

Crane Dimensions



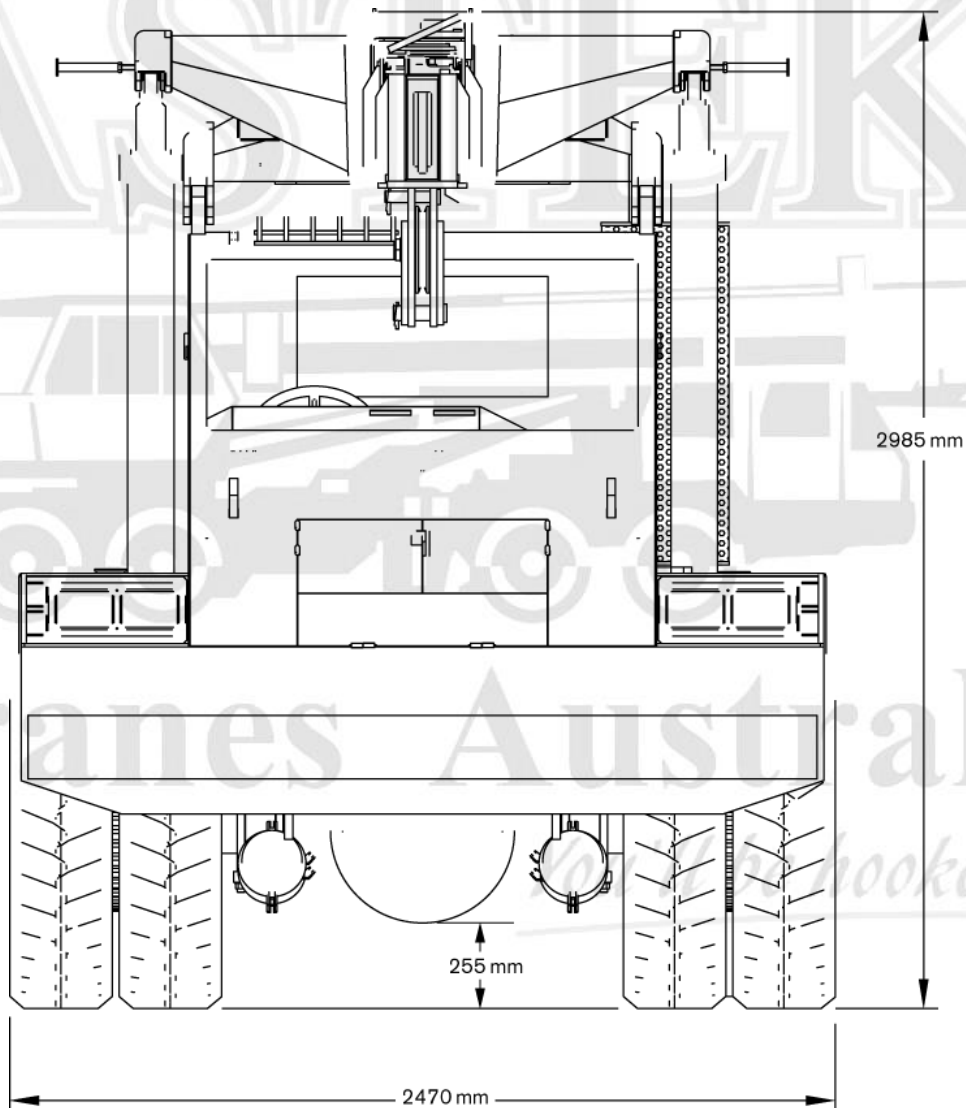
* Ref to centre of steering wheel · Réf. au centre du volant · Bezogen auf Mitte Lenkrad · Rif. al centro del volante · Ref. al centro del volante · Ref. ao centro do volante · От центра рулевого колеса



DIMENSIONS


AT 15-3

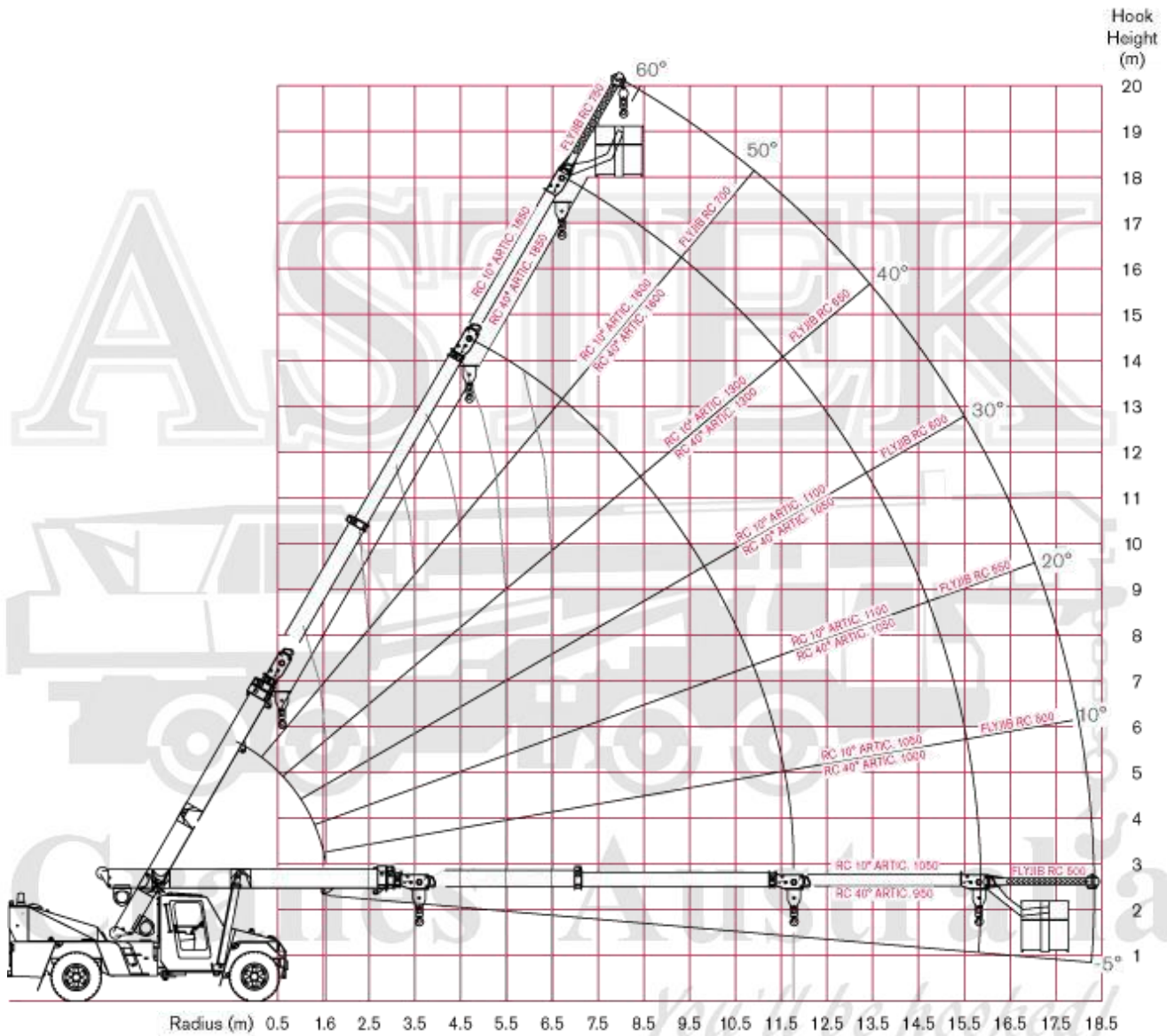
Crane Dimensions



RANGE DIAGRAM

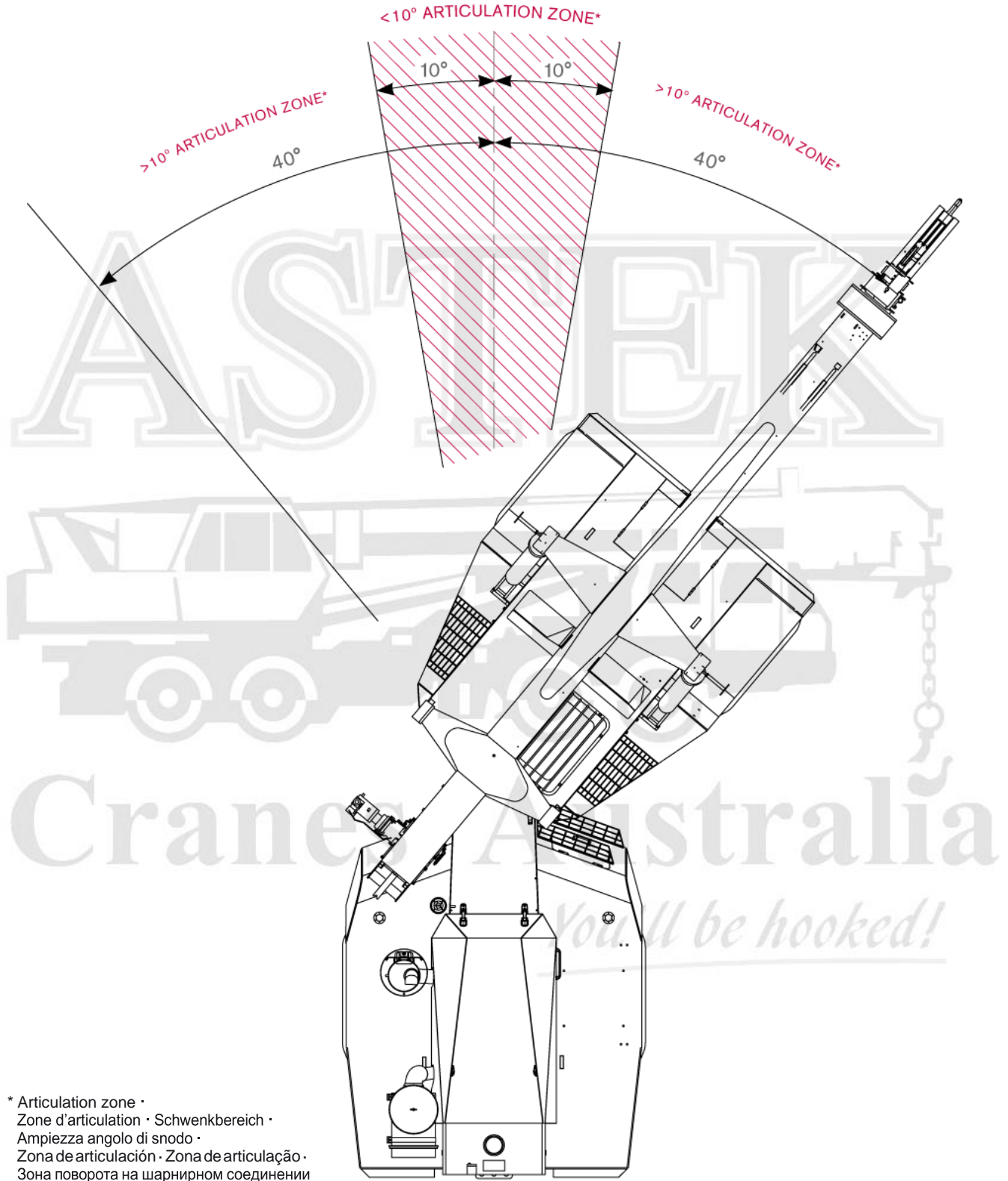
AT 15-3

Pick & Carry 0.4m/s (1.44 km/h)  66.6%



15000	9800	7200	5400	4300	3500	2900	2400	2100	1800	1550	RC (KG) 10° ART.	10 TONNE REAR AXLE
14000	8800	6300	4800	3800	3000	2500	2100	1800	1600	1350	RC (KG) 40° ART.	


AREA OF OPERATION




LOAD CHART

AT 15-3

Hook block

Pick & Carry 0.4m/s (1.44 km/h)  66.6%

 5.66 m – 13.86 m


AS 1418.5

m	(m)																		m	
	5.66	6.00	6.50	7.00	7.50	8.00	8.50	9.00	9.50	10.00	10.50	11.00	11.50	12.00	12.50	13.00	13.50	13.86		
kg	kg	kg	kg	kg	kg	kg	kg	kg	kg	kg	kg	kg	kg	kg	kg	kg	kg	kg	kg	m
1.6	10500	10500	10500	10500	10500															1.6
	48°	50°	54°	57°	59°															
2.0	10500	10500	10500	10500	10500	10500	10500													2.0
	42°	46°	50°	53°	56°	58°	60°													
2.5	10400	10350	10350	10350	10350	10350	10350	9950	9650											2.5
	9250	9250	9250	9250	9250	9250	9250	9200	9200											
	34°	39°	44°	48°	51°	54°	56°	58°	60°											
3.0	8500	8500	8500	8500	8500	8500	8500	8500	8500	8300	7350									3.0
	7600	7600	7600	7600	7600	7550	7550	7550	7550	7550	7350									
	25°	31°	37°	42°	46°	49°	52°	55°	57°	58°	60°									
3.5	7200	7200	7200	7200	7200	7200	7150	7150	7150	7150	6750	5950	5650							3.5
	6400	6400	6400	6400	6400	6400	6400	6400	6350	6350	6350	5950	5650							
	9°	20°	30°	36°	41°	45°	48°	51°	53°	55°	57°	59°	60°							
4.0	6950	6250	6200	6200	6200	6200	6200	6200	6200	6150	6150	5500	5250	5000	4800					4.0
	6150	5550	5500	5500	5500	5500	5500	5500	5500	5500	5500	5450	5250	5000	4800					
	(3.61)	(3.95)	20°	28°	35°	39°	43°	46°	49°	52°	54°	56°	57°	59°	60°					
4.5			5450	5400	5400	5400	5400	5400	5400	5400	5400	5150	4900	4650	4500	4300	4150			4.5
			4850	4800	4800	4800	4800	4800	4800	4800	4800	4800	4800	4650	4500	4300	4150			
			(4.45)	19°	28°	34°	38°	42°	45°	48°	50°	52°	54°	56°	57°	59°	60°			
5.0			4850	4800	4800	4800	4800	4800	4800	4800	4800	4800	4550	4350	4200	4050	3900	3800		5.0
			4300	4250	4250	4250	4250	4250	4250	4250	4250	4250	4250	4200	4200	4050	3900	3800		
			(4.95)	18°	27°	33°	37°	41°	44°	47°	49°	51°	53°	55°	56°	58°	59°			
6.0				4300	3900	3850	3850	3850	3850	3850	3850	3850	3850	3850	3700	3550	3300	3200		6.0
				3800	3450	3400	3400	3400	3400	3400	3400	3400	3400	3400	3400	3400	3300	3200		
				(5.45)	(5.95)	17°	25°	31°	35°	39°	42°	45°	47°	49°	49°	51°	52°	54°		
7.0						3550	3200	3200	3200	3200	3200	3200	3200	3200	3200	3050	2950	2850		7.0
						3100	2800	2800	2800	2800	2800	2800	2800	2800	2800	2800	2800	2800		
						(6.45)	(6.95)	16°	24°	29°	34°	37°	40°	43°	45°	47°	48°			
8.0									2950	2700	2700	2700	2700	2700	2700	2700	2650	2600		8.0
									2600	2350	2350	2350	2350	2350	2350	2350	2350	2350		
									(7.45)	(7.95)	16°	23°	28°	32°	36°	38°	41°	43°		
9.0											2500	2300	2300	2300	2300	2300	2300	2300		9.0
											2200	2000	2000	2000	2000	2000	2000	2000		
											(8.45)	(8.95)	15°	22°	27°	31°	34°	36°		
10.0													2150	2000	2000	2000	2000	2000		10.0
													1850	1750	1750	1750	1750	1750		
													(9.45)	(9.95)	14°	21°	26°	29°		
11.0															1900	1750	1750	1750		11.0
															1600	1500	1500	1500		
															(10.45)	(10.95)	14°	19°		
11.81																	1650	1550		11.81
																	1400	1350		
																	(11.45)	(11.81)		

LOAD CHART

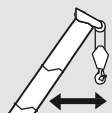
AT 15-3

Hook block manual

Pick & Carry 0.4m/s (1.44 km/h)  66.6%

3.65 m – 7.75 m



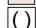

AS 1418.5



Max.

Rated Capacity	
Max. extension - Max. length 17,91 m	
Capacité nominale	
Max. extension - Longueur max 17,91 m	
Nenntragfähigkeit	
Max. Ausfahrlänge - Max. Länge 17,91 m	
Capacità nominale	
Max. sfilo - Lunghezza max. 17,91 m	
Capacidad nominal	
Máx. extensión - Longitud máx. 17,91 m	
Capacidade nominal	
Máx. extensão - Máx. comprimento 17,91 m	
Номинальная грузоподъемность	
Макс. выдвигание - Макс. длина 17,91 м	

m	kg
6.72	1850
	1850
	60°
9.29	1600
	1600
	50°
11.53	1300
	1300
	40°
13.35	1150
	1150
	30°
14.70	1050
	1050
	20°
15.54	1050
	950
	10°
15.86	1050
	950
	0°

-  RC (kg) < than 10° articulation
-  RC (kg) > than 10° articulation
-  Radius at 0° boom angle
-  Loads above red line are structural

LOAD CHART

AT 15-3

Inner lug

Pick & Carry 0.4m/s (1.44 km/h) 66.6% 3.65 m – 7.75 m AS 1418.5

m	(m)									m
	3.65	4.00	4.50	5.00	5.50	6.00	6.50	7.00	7.75	
kg	kg	kg	kg	kg	kg	kg	kg	kg	kg	
1.6	15000 (1,60)	15000 24°	15000 36°	14500 43°	13650 48°	12550 53°	11700 56°	11200 59°		1.6
2.0		12550 11150 (1,95)	12250 10850 26°	12200 10800 36°	12150 10750 43°	11500 10700 48°	10700 10650 51°	10250 10250 55°	9700 9700 59°	2.0
2.5			9700 8550 (2,45)	9500 8350 25°	9450 8350 34°	9400 8300 41°	9350 8250 46°	9250 8250 49°	8750 8200 54°	2.5
3.0				7800 6850 (2,95)	7650 6700 23°	7600 6700 33°	7600 6650 39°	7550 6650 44°	7550 6600 49°	3.0
3.5					6450 5650 (3,45)	6350 5550 22°	6300 5500 31°	6300 5500 38°	6250 5450 44°	3.5
4.0						5400 4700 (3,95)	5350 4650 22°	5350 4650 30°	5300 4600 39°	4.0
4.5							4650 4000 (4,45)	4600 3950 21°	4550 3950 32°	4.5
5.0								4000 3450 (4,95)	3950 3400 25°	5.0
5.5									3450 2950 13°	5.5
5.7									3300 2800 (5,70)	5.7

- RC (kg) < than 10° articulation
- RC (kg) > than 10° articulation
- Boom elevation angle
- Radius at 0° boom angle
- Loads above red line are structural

Cranes Australia

You'll be hooked!

